



INNOVATIONS


CREATIVITY MEETS EVOLUTIONARY DESIGN[®]

2015



INNOVATIONS

CREATIVITY MEETS EVOLUTIONARY DESIGN



INNOVATIONS LIGHTING was founded in 2014 in Westchester County, New York. This new venture is a landmark of my 40th year in the lighting industry. My career began with the iconic Geringer & Sons, founded in 1913, which later led to my partnership with Leonard Geringer, my mentor. From this experience I have learned a simple strategy for success: Create a quality product at a fair price, make a commitment to service, and the customer will repeatedly purchase with confidence.

This new company showcases the highest quality in design and material while promoting versatility for your exact needs. In this catalog, you will find 2500 combinations of lighting styles, finishes, glass shapes, colors and sizes.

I welcome you to enjoy this first edition of the Innovations product line. You can look forward to many more product designs in the future, but always keep in mind that our customer service is the key not only to our success but yours as well.

We look forward to serving you.

Robert B. Marash

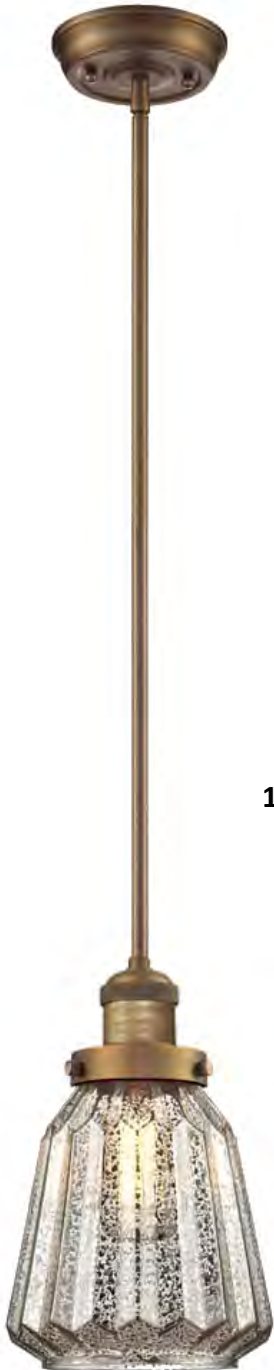
SUPPLIED WITH 6"+12"+12" STEM SET, HANG STRAIGHT SWIVEL , AND 10' OF WIRE. ADDITIONAL STEMS ARE AVAILABLE

206-SN*-G80 12" SQ X 18"H 100 WATT PORCELAIN SOCKET ADJUSTABLE SWIVEL

*- AVAILABLE IN ALL SIX FINISHES

2

AC-ANTIQUÉ COPPER BB-BRUSHED BRASS BBB-BRUSHED BRASS/BLACK OB-OILED RUBBED BRONZE PN-POLISHED NICKEL SN-SATIN NICKEL



103-BB* 7" D X 9" H

ALL STEM MOUNTS SUPPLIED WITH 6"+12"+12" STEM SET, HANG STRAIGHT SWIVEL, AND 10' OF WIRE. ADDITIONAL STEMS ARE AVAILABLE



105-AC* 24" D X 12" H 3 LIGHT ROUND CHANDELIER –ADJUSTABLE LOCK-DOWN SWIVELS ON EACH ARM

THE ORIGINAL COLLECTION

THIS SERIES IS WHAT STARTED THE PASSION TO CREATE THE INNOVATIONS PRODUCT LINE. WE WERE INSPIRED BY THE PROCESS OF MAKING AUTHENTIC ANTIQUE MERCURY GLASS. IT ORIGINATED IN BOHEMIA, ENGLAND DURING THE MID 19TH CENTURY.

EACH PIECE IS BLOWN DOUBLE WALLED, THEN SILVERED BETWEEN THE LAYERS WITH A SOLUTION CONTAINING SILVER NITRATE, MERCURY AND OTHER LIQUID METALS. NO TWO GLASSES ARE EXACTLY THE SAME.



104-SN* 7" D X 8" H X 8" EXT—ADJUSTABLE SWIVEL

*- AVAILABLE IN ALL SIX FINISHES

BULBS NOT INCLUDED-100 WATT RATED

BARE BULB COLLECTION



209-BB



209-AC



209-BBB



209-OB



209-PN



209-SN

CAST THREE LIGHT CLUSTER CHANDELIER WITH DIMMER SWITCH

10-1/2" BODY HT X 8" D(WITHOUT BULBS) - RATED FOR 3-60 WATT- PORCELAIN SOCKETS-10' OF WIRE

BULBS NOT INCLUDED

*AVAILABLE IN ALL SIX FINISHES

4

AC-ANTIQUE COPPER BB-BRUSHED BRASS BBB-BRUSHED BRASS/BLACK OB-OILED RUBBED BRONZE PN-POLISHED NICKEL SN-SATIN NICKEL

BARE BULB COLLECTION



210-AC



210-BBB



210-BB



210-OB



210-PN



210-SN

CAST THREE LIGHT CLUSTER CHANDELIER

18" W X 11" H - RATED FOR 3-60 WATT- PORCELAIN SOCKETS. HEAVY SPUN SHADE WITH WHITE REFLECTOR INSIDE-10' OF WIRE

*AVAILABLE IN ALL SIX FINISHES

BULBS NOT INCLUDED

INNOVATIONS

CREATIVITY MEETS EVOLUTIONARY DESIGN

BARE BULB COLLECTION



200C-BB*
2" D—5" CANOPY- CAST SOCKET
10' BLACK FABRIC CORD



199-* SOCKET WITH 10' OF
CORD ONLY. NO CANOPY



211/3-AC*
10" D X 3 LIGHT— 10' FABRIC CORD ON EACH

211-* PAN ONLY WITH HARDWARE ADAPTABLE
TO MOST CORD HUNG FIXTURES



212/6-PN* 14" D X 6 LIGHT— 10'FABRIC CORD ON EACH

212-* PAN ONLY WITH HARDWARE ADAPTABLE TO MOST
CORD HUNG FIXTURES

200S-OB* STEM MOUNT
2" D—5" CANOPY-CAST SOCKET



206-PN* STEM MOUNT
2"D x 7" H—4-1/4" CAST CANOPY AND
ADJUSTABLE LOCK-DOWN SWIVEL

ALL STEM MOUNTS SUPPLIED WITH 6"+12"+12"
STEM SET, HANG STRAIGHT SWIVEL, AND 10' OF
WIRE. ADDITIONAL STEMS ARE AVAILABLE



214-BBB* STEM MOUNT 48" LONG X 5" BODY HT—CAST CANOPY AND SOCKET



213-OB* STEM MOUNT 36" LONG X 5" BODY HT-CAST CANOPY AND SOCKET

*- AVAILABLE IN ALL SIX FINISHES

BULBS NOT INCLUDED— 100 WATT RATED

BARE BULB COLLECTION

INNOVATIONS
CREATIVITY MEETS EVOLUTIONARY DESIGN



207-OB* STEM MOUNT
15" D SHOWN AS UP LIGHT
ADJUSTABLE LOCK-DOWN SWIVEL



200F-SN* 4-1/4" D X 7-1/2" HT
ADJUSTABLE LOCK-DOWN SWIVEL



202-PN*

202-BBB* 4-1/4" X 6" H X 5" EXT ADJUSTABLE LOCK-DOWN SWIVEL

ALL PRODUCTS ARE MADE WITH CAST COMPONENTS



SHOWN AS SEMI-FLUSH

207-SN* STEM MOUNT 15" D X 6" HT
LOCK-DOWN CAST SWIVEL FOR ANY ANGLE .

ALL STEM MOUNTS SUPPLIED WITH 6"+12"+12" STEM SET, HANG STRAIGHT SWIVEL , AND 10' OF WIRE. ADDITIONAL STEMS ARE AVAILABLE



208-AC* 11" W X 5" H X 5" EXT -ADJUSTABLE LOCK-DOWN SWIVEL



204-OB* 28"W X 5"H X 4" EXT

*- AVAILABLE IN ALL SIX FINISHES

BULBS NOT INCLUDED- 100 WATT RATED

INNOVATIONS

CREATIVITY MEETS EVOLUTIONARY DESIGN

HALOPHANE COLLECTION



201C-AC*-G2
10"D X 8"H -10' FABRIC CORD



201S-BB*-G2
STEM MOUNT



211/3-SN*-G2 10" D X
3 LIGHT 10' FABRIC CORD
ON EACH

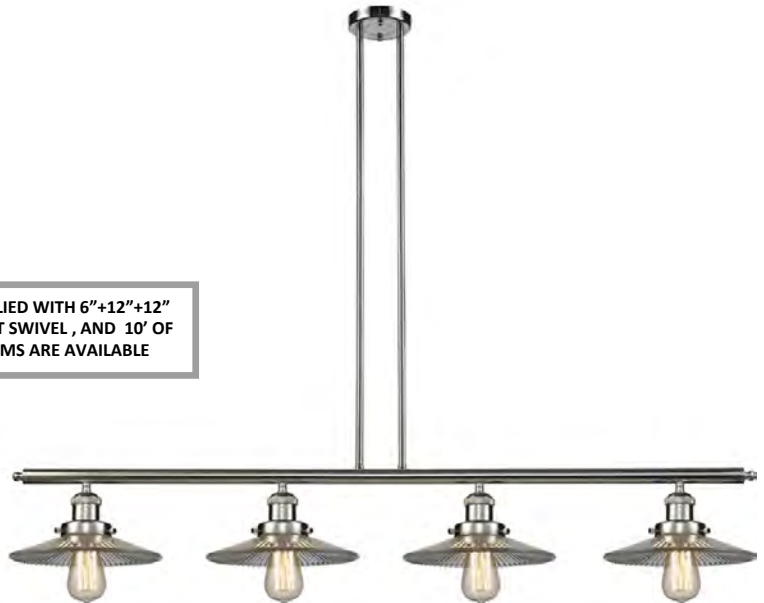


212/6-BBB*-G2 14" D X
6 LIGHT 10' FABRIC CORD
ON EACH



206-PN-G2 10"D X 9"H -STEM MOUNT ADJUSTABLE SWIVEL

ALL STEM MOUNTS SUPPLIED WITH 6"+12"+12"
STEM SET, HANG STRAIGHT SWIVEL, AND 10' OF
WIRE. ADDITIONAL STEMS ARE AVAILABLE



214-SN*-G2 48" LONG X 10"W X 8"H



213-AC*-G2 36" LONG X 10"W X 8" H

*- AVAILABLE IN ALL SIX FINISHES

BULBS NOT INCLUDED-100 WATT RATED



201F-PN*-G2 10"D X 10"H
ADJUSTABLE SWIVEL



203-SN*-G2 10"D X 8"H X 11"EXT
ADJUSTABLE SWIVEL



203-BBB*-G2

ALL STEM MOUNTS SUPPLIED WITH 6"+12"+12" STEM SET, HANG STRAIGHT SWIVEL, AND 10' OF WIRE. ADDITIONAL STEMS ARE AVAILABLE



208-PN*-G2 20"W X 7"H X 11"EXT ADJUSTABLE SWIVEL



SHOWN AS SEMI-FLUSH



207-PN*-G2 24" D X 8" H—ROUND CHANDELIER ADJUSTABLE SWIVEL



205-AC*-G2 32"W X 10"H X 11" EXT

*- AVAILABLE IN ALL SIX FINISHES

BULBS NOT INCLUDED-100 WATT RATED

INNOVATIONS

CREATIVITY MEETS EVOLUTIONARY DESIGN

SMALL CONE COLLECTION



201C-OB*-G63 6"D X 8"H 10' FABRIC CORD

2015-SN*-G62
STEM MOUNT



211/3-BB*-G61
10" D X 3 LIGHT 10' FABRIC CORD ON EACH



212/6-BBB*-G63
14" D X 6 LIGHT 10' FABRIC CORD ON EACH

ALL STEM MOUNTS SUPPLIED WITH 6"+12"+12" STEM SET, HANG STRAIGHT SWIVEL, AND 10' OF WIRE. ADDITIONAL STEMS ARE AVAILABLE

206-PN*-G61
6"D X 12"H –
STEM MOUNT
ADJUSTABLE SWIVEL



214-AC*-G62 48" LONG X 6"W X 10"H



213-PN*-G63 36" LONG X 6"W X 10" H

BULBS NOT INCLUDED-100 WATT RATED

*- AVAILABLE IN ALL SIX FINISHES AND ANY GLASS

SMALL CONE COLLECTION

INNOVATIONS

CREATIVITY MEETS EVOLUTIONARY DESIGN



201F-OB*-G63 6"D X 12"H ADJUSTABLE SWIVEL



203-AC*-G62 6"D X 12"H X 8" EXT ADJUSTABLE SWIVEL



203-BBB*-G63



SHOWN AS SEMI-FLUSH

ALL STEM MOUNTS SUPPLIED WITH 6"+12"+12" STEM SET, HANG STRAIGHT SWIVEL, AND 10' OF WIRE. ADDITIONAL STEMS ARE AVAILABLE



208-SN*-G61 16"W X 12"H X 8" EXT ADJUSTABLE SWIVEL



207-AC*-G61 19"D X 11"H
3 LIGHT ROUND CHANDELIER ADJUSTABLE SWIVEL



205-BB*-G63 28"W X 12"H X 7" EXT

BULBS NOT INCLUDED-100 WATT RATED

*- AVAILABLE IN ALL SIX FINISHES AND ANY GLASS

11 AC-ANTIQUÉ COPPER BB-BRUSHED BRASS BBB-BRUSHED BRASS/BLACK OB-OILED RUBBED BRONZE PN-POLISHED NICKEL SN-SATIN NICKEL

INNOVATIONS

CREATIVITY MEETS EVOLUTIONARY DESIGN

SMALL BELL COLLECTION



201S-SN*-G52
STEM MOUNT

201C-BB*-G51 5" D X 8" H 10' FABRIC CORD



211/3-BB*-G51
10" D X 3 LIGHT
10' FABRIC CORD ON EACH



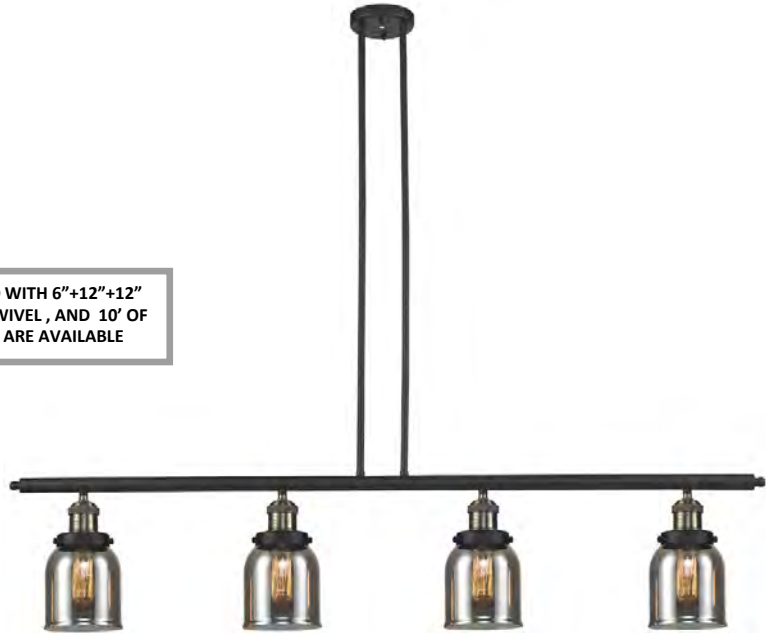
212/6-BBB*-G52 14" D X 6 LIGHT 10' FABRIC CORD ON EACH



206-AC*-G52

5" D X 11" H
STEM MOUNT
ADJUSTABLE SWIVEL

ALL STEM MOUNTS SUPPLIED WITH 6"+12"+12"
STEM SET, HANG STRAIGHT SWIVEL , AND 10' OF
WIRE. ADDITIONAL STEMS ARE AVAILABLE



214-BBB*-G53 48" LONG X 5"W X 9"H



213-PN*-G52 36" LONG X 5"W X 9" H

BULBS NOT INCLUDED-100 WATT RATED

*- AVAILABLE IN ALL SIX FINISHES AND ANY GLASS



201F-BB*-G52 5" D X 12"H ADJUSTABLE SWIVEL



203-AC*-G53 5"D X 12"H X 8" EXT ADJUSTABLE SWIVEL



203-PN*-G52



207-BB*-G51
SHOWN AS SEMI-FLUSH

ALL STEM MOUNTS SUPPLIED WITH 6"+12"+12" STEM SET, HANG STRAIGHT SWIVEL, AND 10' OF WIRE. ADDITIONAL STEMS ARE AVAILABLE



208-BB*-G51 16"W X 12"H X 8" EXT ADJUSTABLE SWIVEL



207-OB*-G51 20"D X 11"H 3 LIGHT ROUND CHANDELIER ADJUSTABLE SWIVEL



205-BBB*-G52 30"W X 11"H X 8" EXT

BULBS NOT INCLUDED-100 WATT RATED

*- AVAILABLE IN ALL SIX FINISHES AND ANY GLASS

INNOVATIONS

CREATIVITY MEETS EVOLUTIONARY DESIGN

LARGE CONE COLLECTION



201C-OB*-G43 8" D X 10" H 10' FABRIC CORD

201S-BBB*-G41
STEM MOUNT



211/3-AC*-G43
10" D X 3 LIGHT
10' FABRIC CORD ON EACH

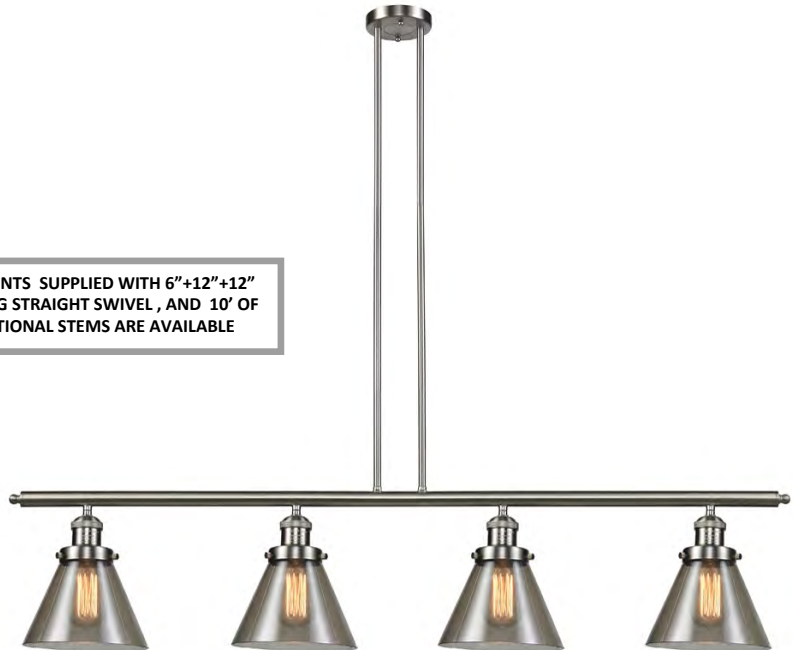


212/6-OB*-G41 14" D X 6 LIGHT 10' FABRIC CORD ON EACH

ALL STEM MOUNTS SUPPLIED WITH 6"+12"+12" STEM SET, HANG STRAIGHT SWIVEL, AND 10' OF WIRE. ADDITIONAL STEMS ARE AVAILABLE



206-SN*-G42 8" D X 12" H STEM MOUNT ADJUSTABLE SWIVEL



214-SN*-G43 48" LONG X 8"W X 10"H



213-BBB*-G42 36" LONG X 8"W X 10" H

BULBS NOT INCLUDED-100 WATT RATED

* - AVAILABLE IN ALL SIX FINISHES AND ANY GLASS



201F-BBB*-G43

201F-SN*-G41 8" D X 12"H ADJUSTABLE SWIVEL



203-OB*-G42 8"D X 12"H X 9" EXT ADJUSTABLE SWIVEL



203-AC*-G41

ALL STEM MOUNTS SUPPLIED WITH 6"+12"+12" STEM SET, HANG STRAIGHT SWIVEL, AND 10' OF WIRE. ADDITIONAL STEMS ARE AVAILABLE



207-SN*-G41
SHOWN AS SEMI FLUSH



208-BBB*-G43 19"W X 12"H X 10" EXT ADJUSTABLE SWIVEL



207-SN*-G43 23"D X 13"H 3 LIGHT ROUND CHANDELIER ADJUSTABLE SWIVEL



205-BB*-G42 30"W X 12"H X 8" EXT

BULBS NOT INCLUDED-100 WATT RATED

*- AVAILABLE IN ALL SIX FINISHES AND ANY GLASS

INNOVATIONS

CREATIVITY MEETS EVOLUTIONARY DESIGN

LARGE BELL COLLECTION



201C-BBB*-G72 8" D X 8" H 10' FABRIC CORD



201S-AC*-G71
STEM MOUNT



211/3-AC*-G73
10" D X 3 LIGHT
10' FABRIC CORD ON EACH



212/6-SN*-G72 14" D X 6 LIGHT 10' FABRIC CORD ON EACH



206-BB*-G72

8" D X 12" H
STEM MOUNT
ADJUSTABLE SWIVEL

ALL STEM MOUNTS SUPPLIED WITH 6"+12"+12"
STEM SET, HANG STRAIGHT SWIVEL, AND 10' OF
WIRE. ADDITIONAL STEMS ARE AVAILABLE



214-OB*-G72 48" LONG X 8"W X 10"H



213-PN*-G73 36" LONG X 8"W X 10" H

BULBS NOT INCLUDED-100 WATT RATED

*- AVAILABLE IN ALL SIX FINISHES AND ANY GLASS

LARGE BELL COLLECTION



201F-SN*-G72 8" D X 12"H ADJUSTABLE SWIVEL



203-PN*-G73 8"D X 12"H X 9" EXT ADJUSTABLE SWIVEL



203-BB*-G71

ALL STEM MOUNTS SUPPLIED WITH 6"+12"+12" STEM SET, HANG STRAIGHT SWIVEL, AND 10' OF WIRE. ADDITIONAL STEMS ARE AVAILABLE



SHOWN AS SEMI-FLUSH

207-OB*-G72



208-OB*-G72 16"W X 12"H X 8" EXT ADJUSTABLE SWIVEL



207-BBB*-G73 22"D X 11"H 3 LIGHT ROUND CHANDELIER ADJUSTABLE



205-BBB*-G71 30"W X 11"H X 9" EXT

BULBS NOT INCLUDED-100 WATT RATED

*- AVAILABLE IN ALL SIX FINISHES AND ANY GLASS

INNOVATIONS

CREATIVITY MEETS EVOLUTIONARY DESIGN

RAILROAD COLLECTION



201C-BBB*-M6 8"D X 8"H



201S-SN*-M2
STEM MOUNT



211/3-BB*-M4
10" D X 3 LIGHT
10' FABRIC CORD ON EACH



212/6-OB*-M5 14" D X 6 LIGHT 10' FABRIC CORD ON EACH

METAL SHADE OPTIONS MIX OR MATCH ANY SHADE

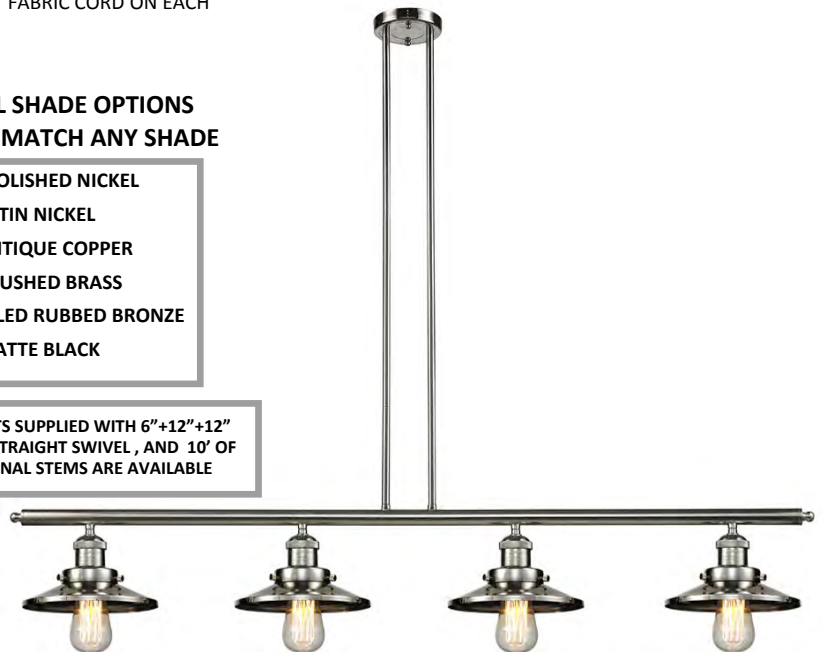
- M1- POLISHED NICKEL
- M2-SATIN NICKEL
- M3-ANTIQUE COPPER
- M4-BRUSHED BRASS
- M5-OILED RUBBED BRONZE
- M6-MATTE BLACK

ALL STEM MOUNTS SUPPLIED WITH 6"+12"+12"
STEM SET, HANG STRAIGHT SWIVEL, AND 10' OF
WIRE. ADDITIONAL STEMS ARE AVAILABLE



206-OB*-M5

8"D X 12"H
STEM MOUNT
ADJUSTABLE SWIVEL



214-PN*-M1 48" LONG X 8"W X 10"H



213-AC*-M3 36" LONG X 8"W X 10" H

BULBS NOT INCLUDED-100 WATT RATED

*- AVAILABLE IN ALL SIX FINISHES AND ANY SHADE

18 AC-ANTIQUÉ COPPER BB-BRUSHED BRASS BBB-BRUSHED BRASS/BLACK OB-OILED RUBBED BRONZE PN-POLISHED NICKEL SN-SATIN NICKEL



201F-OB*-M5



203-BBB*-M6 8"D X 10"H X 9" EXT ADJUSTABLE SWIVEL



203-SN*-M2

201F-AC*-M3 8" D X 12"H ADJUSTABLE SWIVEL

ALL STEM MOUNTS SUPPLIED WITH 6"+12"+12" STEM SET, HANG STRAIGHT SWIVEL, AND 10' OF WIRE. ADDITIONAL STEMS ARE AVAILABLE

**METAL SHADE OPTIONS
MIX OR MATCH ANY SHADE**

- M1- POLISHED NICKEL
- M2-SATIN NICKEL
- M3-ANTIQUE COPPER
- M4-BRUSHED BRASS
- M5-OILED RUBBED BRONZE
- M6-MATTE BLACK

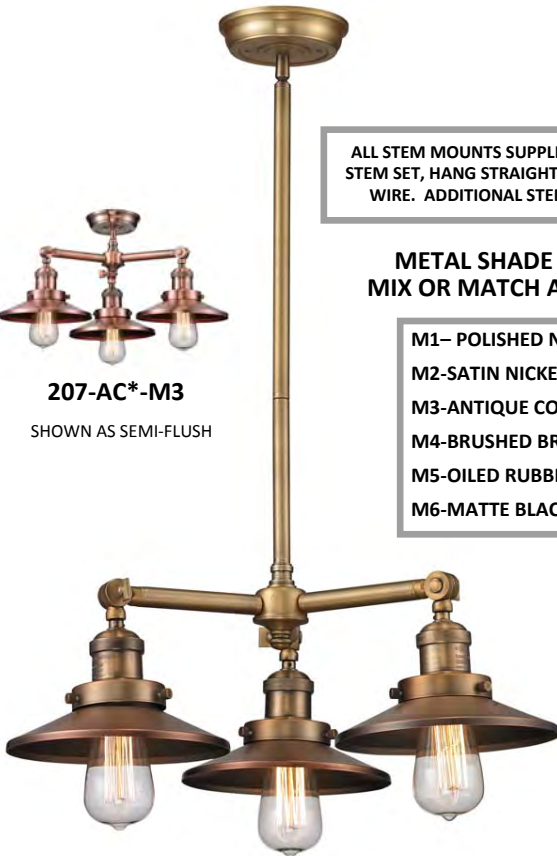


207-AC*-M3

SHOWN AS SEMI-FLUSH



208-PN*-M1 16"W X 11"H X 9" EXT ADJUSTABLE SWIVEL



207-BB*-M4 22"D X 11"H 3 LIGHT ROUND CHANDELIER
ADJUSTABLE SWIVEL



205-OB*-M5 30"W X 11"H X 9" EXT

BULBS NOT INCLUDED-100 WATT RATED

*- AVAILABLE IN ALL SIX FINISHES AND ANY SHADE

INNOVATIONS

CREATIVITY MEETS EVOLUTIONARY DESIGN

QUINCY HALL COLLECTION



216-OB
4" D X 10-1/2" H
10' WIRE
CAST CANOPY



SHOWN AS SEMI-FLUSH



216-SN



217-SN



217-OB
4"W X 12-1/2" H X 6" EXT



218-OB 21" W X 4-1/4" H X 6" EXT



CAN BE MOUNTED VERTICALLY



218-SN

MESH STEEL CAGE FOR T-BULB ~100 WATT RATED PORCELAIN SOCKET
BULBS NOT INCLUDED

AVAILABLE IN OB- OILED RUBBED BRONZE SN-SATIN NICKEL

QUINCY HALL COLLECTION



SHOWN AS SEMI-FLUSH



219-SN

219-OB

4-3/4" D X 10" H 10' OF WIRE CAST CANOPY



220-OB



220-SN

4-3/4" W X 11-1/4" H X 6" EXT



221-SN

19" W X 4-3/4" H X 6" EXT



CAN BE MOUNTED VERTICALLY



221-OB

MESH STEEL CAGE FOR EDISON BULB -100 WATT RATED PORCELAIN SOCKET

BULBS NOT INCLUDED

AVAILABLE IN OB- OILED RUBBED BRONZE SN-SATIN NICKEL

INNOVATIONS

CREATIVITY MEETS EVOLUTIONARY DESIGN

MUSELET COLLECTION

SHOWN AS SEMI-FLUSH



225-OB



226-SN

3-1/4" W X 11" H X 53" OAL
10' OF WIRE CAST CANOPY

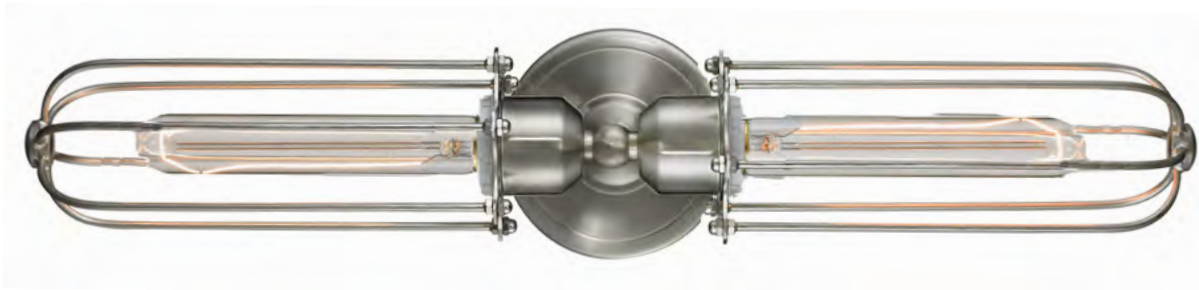


226-SN



226-OB

4-1/4" W X 12" H X 5" EXT



227-SN 22" W X 4-1/4" H X 6" EXT



227-OB



CAN BE MOUNTED VERTICALLY

STEEL WIRE CAGE SERIES FOR T-BULB 100 WATT RATED PORCELAIN SOCKETS
BULBS NOT INCLUDED

AVAILABLE IN OB—OILED RUBBED BRONZE SN-SATIN NICKEL

MUSELET COLLECTION

SHOWN AS SEMI-FLUSH



222-OB



222-SN

4-1/2" W X 9" H 50" OAL
10' OF WIRE CAST CANOPY

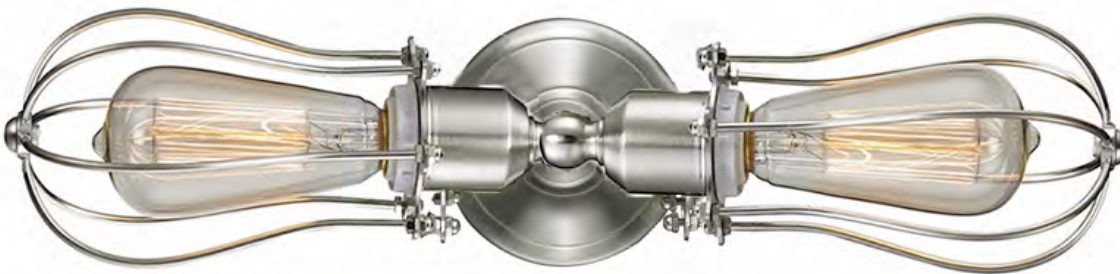


223-OB



223-SN

4-1/2" W X 11" H X 6" EXT



224-SN 18-1/2" W X 4-1/2" H X 6" EXT



CAN BE MOUNTED VERTICALLY



224-OB

STEEL WIRE CAGE SERIES 100 WATT RATED PORCEAIN SOCKET
BULBS NOT INCLUDED

AVAILABLE IN OB- OILED RUBBED BRONZE SN-SATIN NICKEL

INNOVATIONS

CREATIVITY MEETS EVOLUTIONARY DESIGN

CENTRI COLLECTION



SHOWN
AS SEMI-
FLUSH



228-SN-CL
3" W X 11" H X 52-1/2" OAL
10' OF WIRE CAST CANOPY



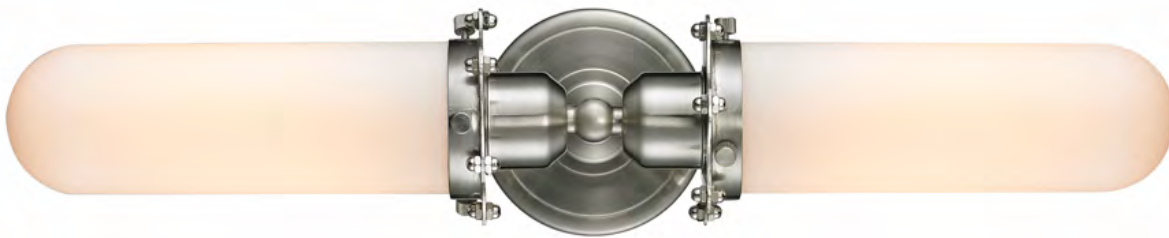
228-OB-W



229-OB-W



229-SN-CL 4-1/4" W X 13" H X 6" EXT



230-SN-W 22" W X 4-1/2" H X 6" EXT



CAN BE MOUNTED VERTICALLY



230-OB-CL

ACCOMODATES EDISON "T" BULB—100 WATT PORCELAIN SOCKET —BULBS NOT INCLUDED
HEAVY BLOWN GLASS SERIES

SHOWN AS SEMI-FLUSH

CENTRI COLLECTION



231-SN-W



231-OB-CL

10' OF WIRE CAST CANOPY
4-3/4" W X 10" H X 51" OAL



232-OB-CL



232-SN-W 4-3/4" W X 11-1/2" H X 6" EXT



CAN BE MOUNTED VERTICALLY



233-SN-W



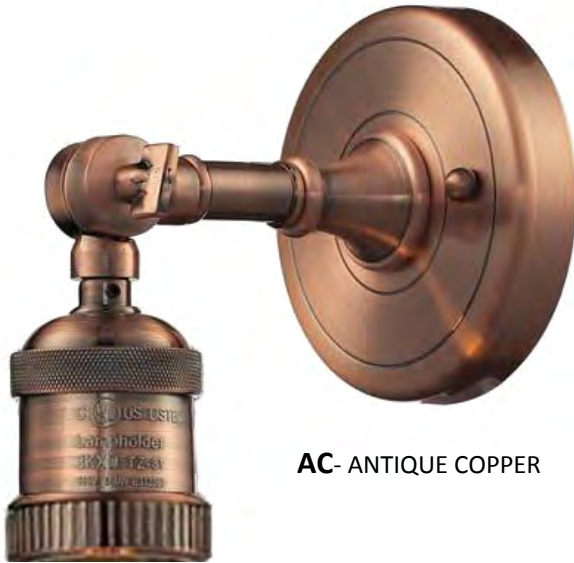
233-OB-CL 19" W X 4-3/4" H X 6' EXT

ACCOMODATES EDISON BULB—100 WATT PORCELAIN SOCKET —BULBS NOT INCLUDED

HEAVY BLOWN GLASS SERIES

WE USE THE HIGHEST GRADE MATERIAL IN OUR MANUFACTURING PROCESS

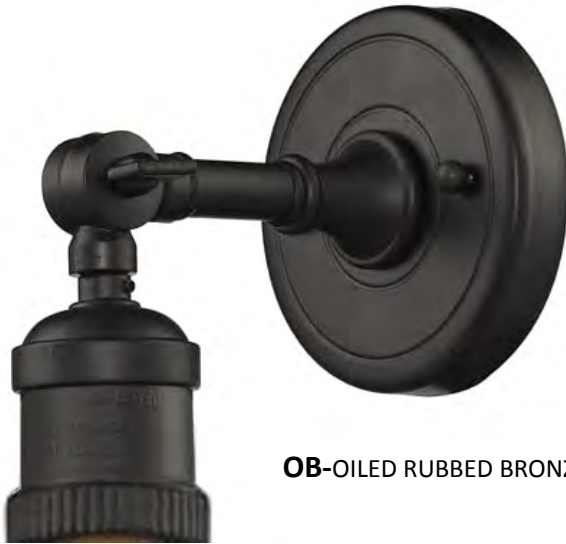
- HEAVY METAL SPUN BACKPLATE WITH DEEP ENGRAVING
- CAST WHITE METAL ONE PIECE SOCKET CUP WITH ENGRAVING AND CAST RING
- CAST WHITE METAL TWO PIECE OPERATIONAL SWIVEL WITH INTERNAL TEETH
- PORCELAIN SOCKETS WITH 100 WATT CUL RATING



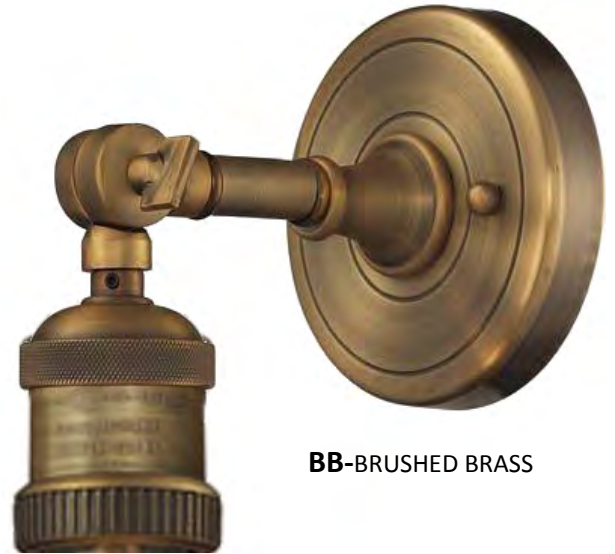
AC- ANTIQUE COPPER



BBB- BLACK WITH BRUSHED BRASS



OB- OILED RUBBED BRONZE



BB- BRUSHED BRASS



SN- SATIN NICKEL



PN- POLISHED NICKEL

GLASS AND SHADE OPTIONS ALL STANDARD FOR 3-1/4" FITTER

INNOVATIONS

CREATIVITY MEETS EVOLUTIONARY DESIGN

METAL SHADES—8" D with 3-1/4" Neck



G2 HALOPHANE-10" WITH 3-1/4" NECK



M1 Polished Nickel



M3-Antique Copper



M5- Oiled Rubbed Bronze



M2- Satin Nickel



M4-Brushed Brass



M6- Matte Black

SMALL GLASS CONE SERIES-6-1/4" D X 5" H with 3-1/4" Neck



G61 CASED WHITE GLASS



G62 CLEAR GLASS



G63 SMOKE GLASS

SMALL GLASS BELL SERIES—5" D X 5" H with 3-1/4" Neck



G51 CASED WHITE GLASS



G52 CLEAR GLASS



G53 SMOKE GLASS

LARGE GLASS CONE SERIES—8" D X 6" H with 3-1/4" Neck



G41 WHITE CASED GLASS



G42 CLEAR GLASS



G43 SMOKE GLASS

LARGE GLASS BELL SERIES—8" D X 5" H 3-1/4" Neck



G71 WHITE CASED GLASS



G72 CLEAR GLASS



G73 SMOKE GLASS



INNOVATIONS LIGHTING

ALL DESIGNS COPYRIGHTED©

SALES@INNOVATIONSLIGHTING.COM

PH: 914-734-8076 FX: 413-740-0394